



LED MODULES

SA L-Side 1 LED

Features

- Constant current (Non-DALI Compatible).
- Adopting high power SMD3535, better heat dissipation and longer lifespan
- Well ABS sealed : anti-dusting, anti-moisture, waterproof, anti-shock
- Optical lens design, 45° x 15° angle beam and light evenly
- CE, ROHS and UL certified.
- Cuttable every 1 LED Module
- 5 Years Warranty

Specification

Item Code	CCT	Luminous Flux(lm)	Efficiency(lm/w)
SA 4161	Pure White 6500K	250lm	100lm
SA 4162	Warm White 3000K	250lm	100lm

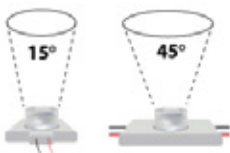
Technical Characteristics

Voltage	DC12V
Power(W)	2.5W
Current Dissipation	0.21A
Efficiency	100lm/W
IP Rating	IP65
View Angle	45° x 15°
CRI (Ra)	75+
LED Type	3535 LED

Certification



Angle Beam



Temperature Ranges

Operating temperature	-25~60°
Storage temperature	-25~70°

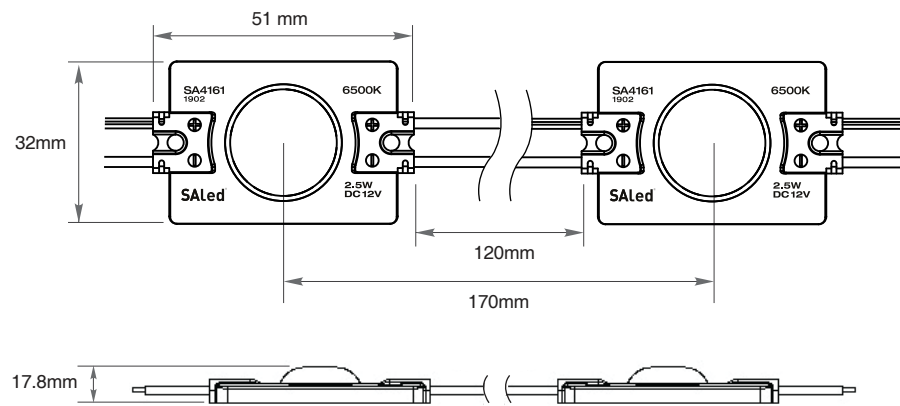
Warranty

Warranty	5 Years
----------	---------

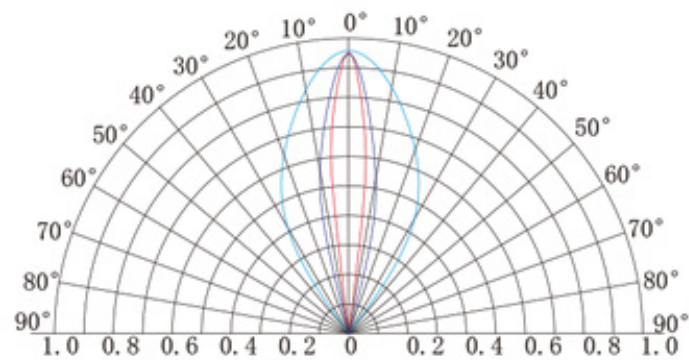
Physical Characteristics

Dimensions(L*W*H)	51.4*32*17.8
Weight	20 g

Profile Drawings



Luminous intensity distribution diagram



Beaming Angle 15x45°

Max in series 10 EA

